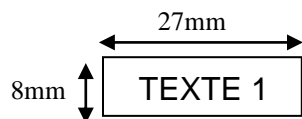


Distributeur OMRON - HAMMOND - IFM- ABB/ENTRELEC - EATON - WIELAND - MARCUS - CONTROL TECHNIQUES

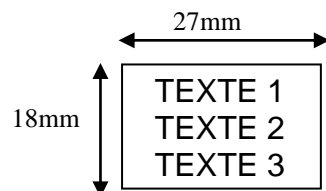
BON DE COMMANDE

TYPE E



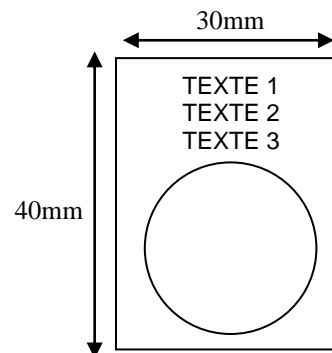
*FOND NOIR TEXTE BLANC

TYPE F



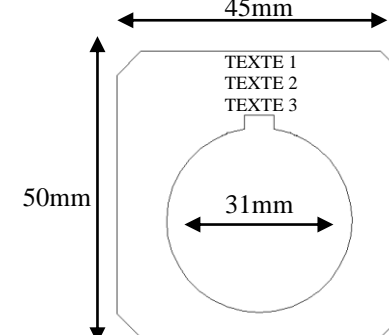
*FOND GRIS TEXTE NOIR

TYPE H



*FOND NOIR TEXTE BLANC

TYPE I



*FOND NOIR TEXTE BLANC

COMMANDE PAR :

| TYPE | QTE | TEXTE 1 | TEXTE 2 | TEXTE 3 | *COULEUR PAR DEFAUT (selon le type) | ADHESIF | | N° DE REFERENCE |
|------|-----|---------|---------|---------|---|---------|-----|--------------------|
| | | | | | | OUI | NON | |
| | | | | | | | | |
| | | | | | | | | |
| | | | | | | | | |
| | | | | | | | | |
| | | | | | | | | |
| | | | | | | | | |
| | | | | | | | | |
| | | | | | | | | |
| | | | | | | | | |

| | | | | | | | | |
|--|--|--|--|--|--|--|--|--|
| | | | | | | | | |
| | | | | | | | | |
| | | | | | | | | |
| | | | | | | | | |
| | | | | | | | | |
| | | | | | | | | |
| | | | | | | | | |
| | | | | | | | | |
| | | | | | | | | |
| | | | | | | | | |
| | | | | | | | | |
| | | | | | | | | |
| | | | | | | | | |
| | | | | | | | | |
| | | | | | | | | |
| | | | | | | | | |
| | | | | | | | | |
| | | | | | | | | |
| | | | | | | | | |
| | | | | | | | | |
| | | | | | | | | |
| | | | | | | | | |
| | | | | | | | | |
| | | | | | | | | |
| | | | | | | | | |